



## Assembly Instructions

Thank you for purchasing a Shelti product. All of us at Shelti want you to be completely satisfied with your Pro Foos game, so feel free to contact us for help with the assembly of your product, Shelti parts, or other information you may require.

**Tools Required:**

- 1/2" Wrench
- 3/4" Wrench
- 7/16" Wrench
- Hammer
- Phillips screwdriver
- Level

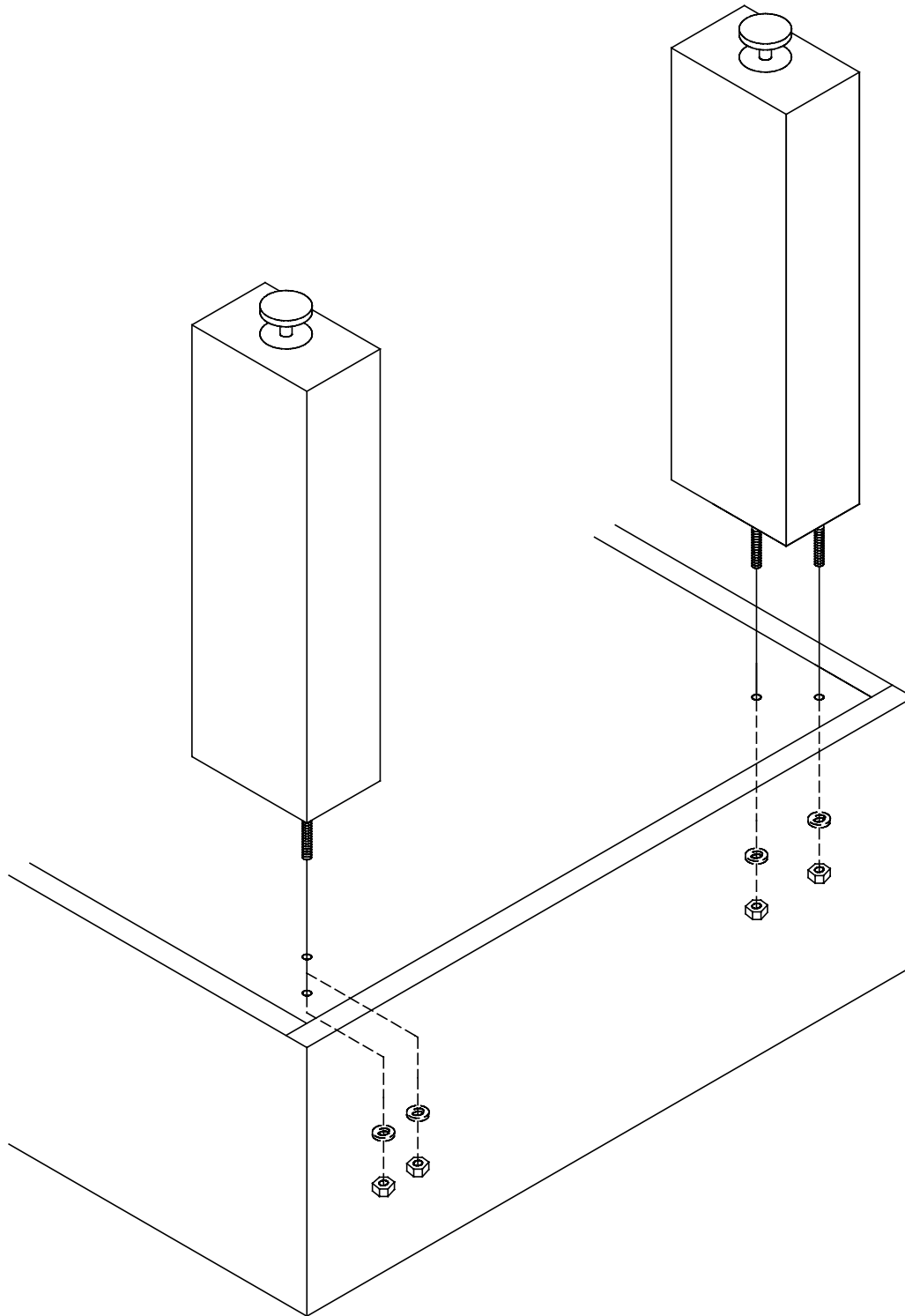
### STEP #1

- Open the Pro Foos III cabinet bottom box and remove the following parts.

<u>Description</u>	<u>Part Number</u>	<u>Quantity</u>
A - Shelti Soccer Leg Assembly - Right	AS-SSR-0	2
A - Shelti Soccer Leg Assembly - Left	AS-SSL-0	2
A - Long Ball Return	AS-LBR-0	1
A - Short Ball Return	AS-SBR-0	1
B - Accessories Package	BS-ASA-0	1
5/16" Flat Washer	303-0002-0	8
5/16" Hex Nuts	302-0002-0	8
Score Posts	201-0006-0	4
Score Rods	205-0007-0	2
Red Score Beads	003-0002-0	5
Black Score Beads	003-0003-0	5
#8 x 2" Wood Screw	304-0005-0	4
Spirol Pin Punch	210-0012-0	1
Super Lube Tube	210-0002-0	1
Balls	201-0007-0	5
1/4" x 20 Cap Nut	302-0003-0	2
Rod Block	102-0070-0	1
10/32 1 1/4" round head bolts	301-0008-0	4
#10 flat washers	303-0006-0	8

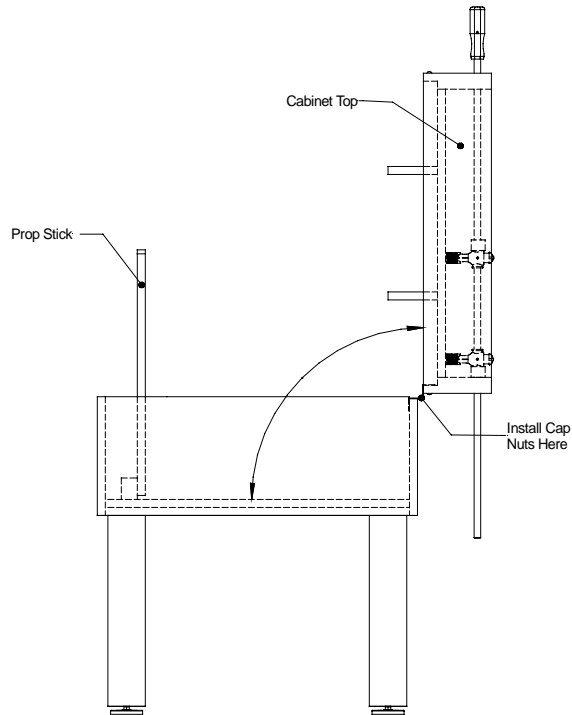
## STEP #2 – Leg Assembly

- Turn the Pro Foos game upside down.
- Assemble the legs using the holes in the leg pads. Tighten nuts with a 1/2" wrench.

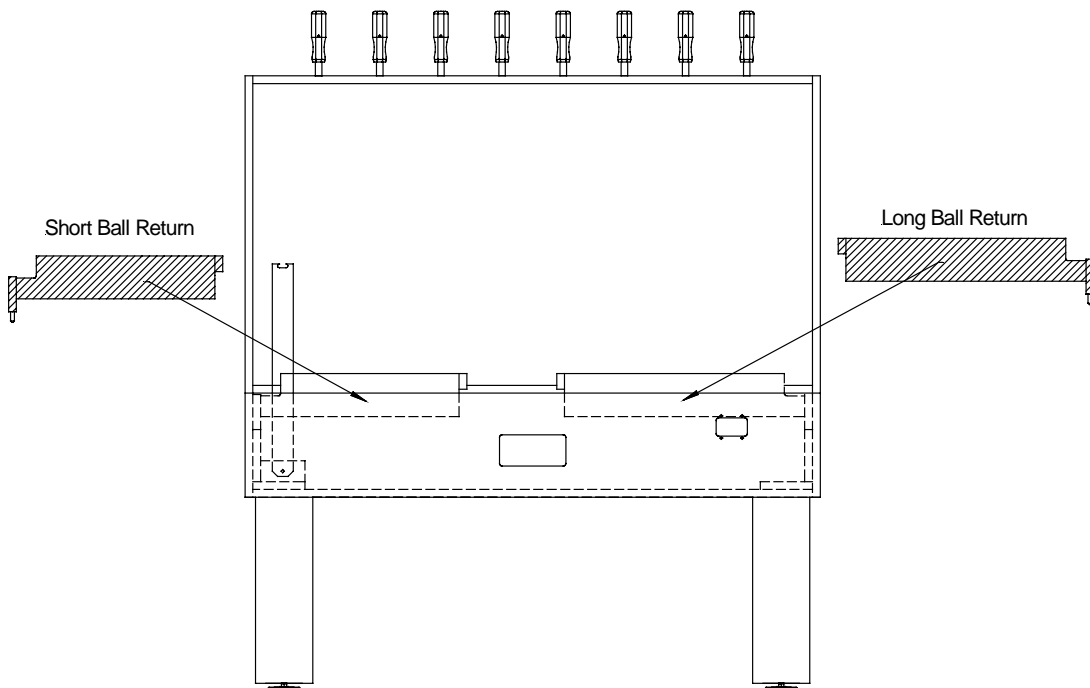


### Step #3 – Cabinet Top & Bottom Assembly

- Open the cabinet top box.
- Lift the cabinet top into a vertical position and slide the hinges onto the cabinet bottom hinges.
- Lift the prop stick into a vertical position and secure the top in an open position.
- Tighten the two cap screw nuts onto the cabinet top / cabinet bottom hinge.

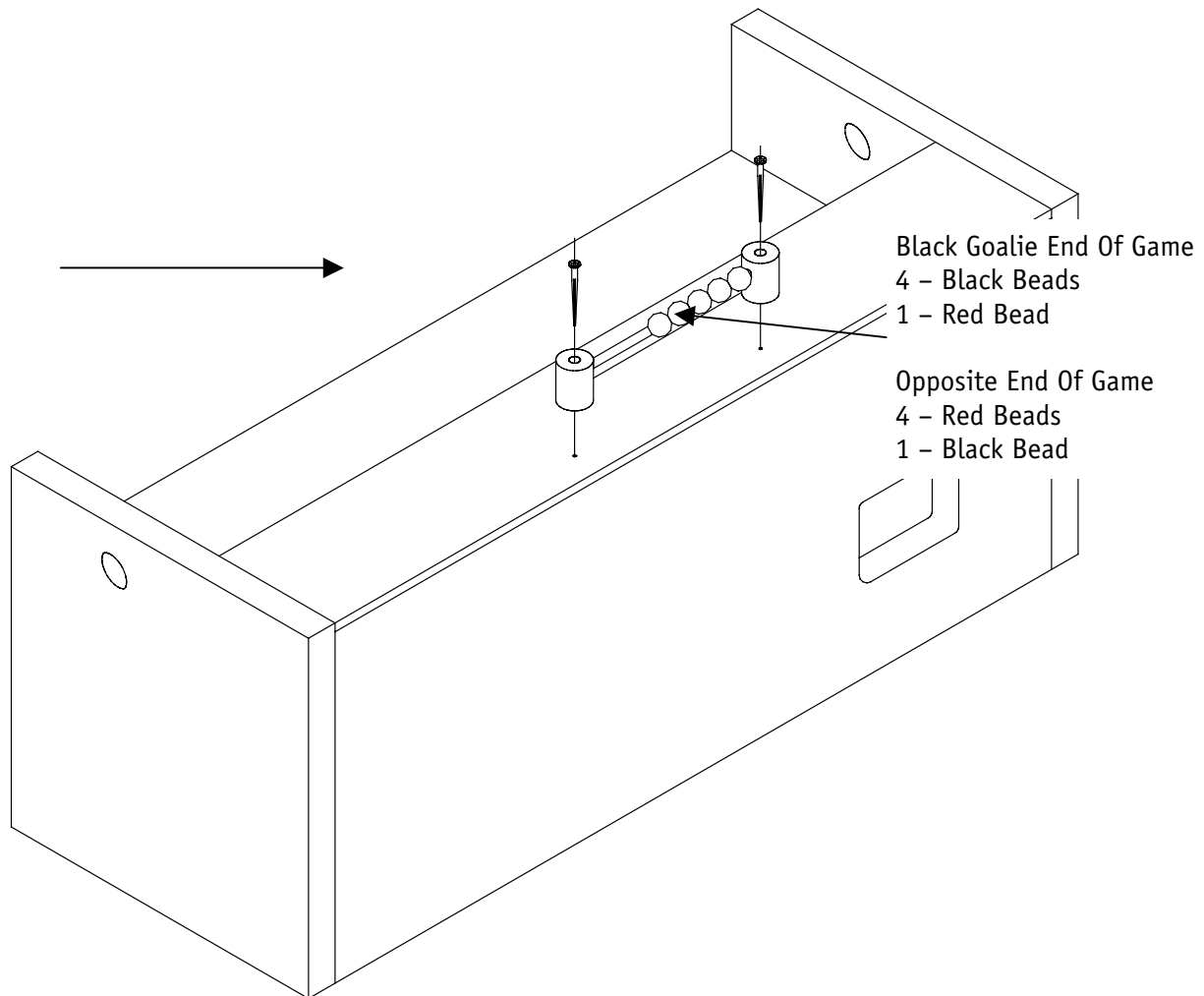


- Install the long & short ball returns as shown.
- Close and lock the cabinet top.



#### STEP #4 – Score Post & Rod Assembly

- Assemble the score posts - score rod - beads.
- Screw the score posts to the top of the game.
- The black scoring assembly contains 4 black beads and 1 red bead and should be placed at the end of the table where the black goalies are located. The odd colored bead signifies the final point and should be placed so that it is the last bead pulled toward you (the black team). The red team scoring assembly on the other side is just the opposite.

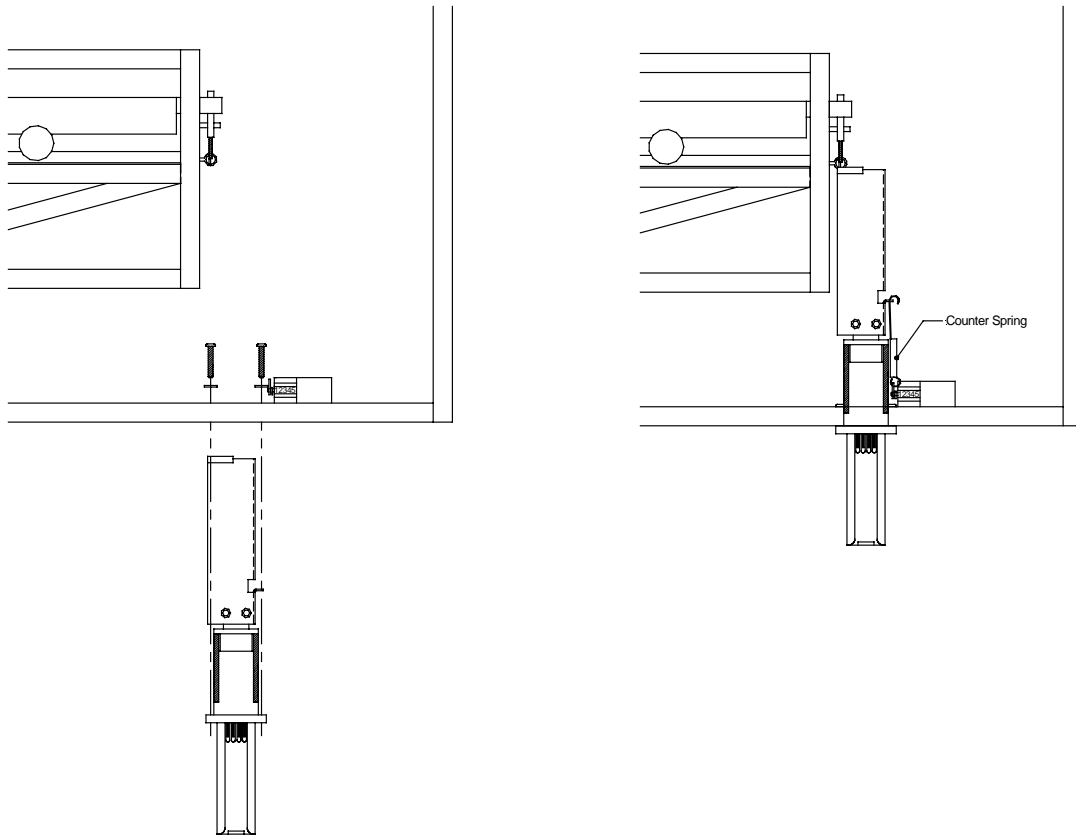


#### STEP #5 – Level The Game

- Turn the leg levelers in or out of the leg until the ball rolls true on the play surface.
- For more precise leveling, use a level. Place the level horizontally on the playing surface pointing toward the goal openings. Be sure all the levelers are screwed all the way in as a starting point. Turn the leg levelers up equally on one end until you are horizontally level. Then turn your level 90° so it is pointing toward the ball server holes. Now turn the levelers up on one side of the table until you are vertically level.

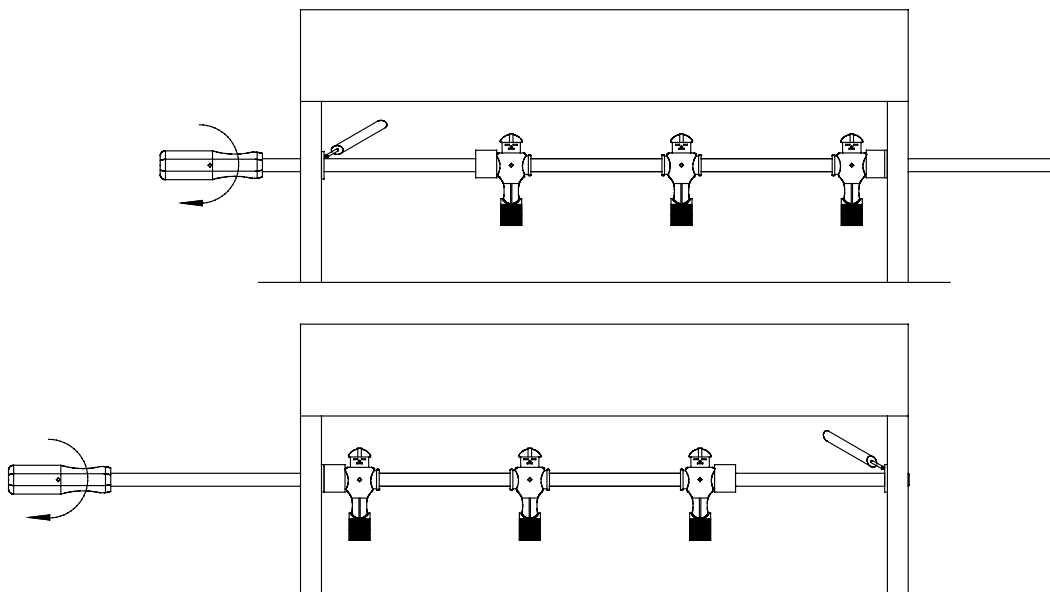
**STEP #6** – Install The Coin Mechanism

- Install the coin chute assembly using the hardware provided.
- Connect the counter spring to the counter as shown.



**STEP #7** – Lubricate The Rods / Bearings

- Push the rod away from you until the bumper hits the opposite wall. Apply two or three drops of lubricate on the face of the bearing and rod using the Super Lube Tube furnished with the game. Rotate the rod while pulling the rod toward you to evenly spread the lubricant on the rod. Perform the same operation on the opposite bearing face and rod. Repeat as needed.



## STEP #8 – Rotating The Bushings

- Once a year the bushings should be rotated 180 degrees to assure an even wear of the bushing surface. To accomplish this rotation remove the rods from the game and push a 7/8" socket head over the bushing fingers (Drawing - A). Push the bushing out of the hole and rotate the bushing 180 degrees (Drawing - B). Snap the bushing back into place and return the rod and men to the game.

